

STOPDIGGING!®

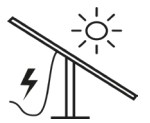
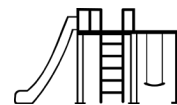
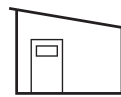
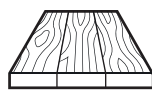


ADAPTER SCREW SGP

The adapter screw has a square mounting plate with a threaded M20 hole in the centre. This is designed to fasten any of our many Applications depending on the type of foundation you need. The adapter screw also provides adjustability in all directions for an extra precise installation. Available Applications include including the beam bracket, post bracket, plate and L-support which make it a very versatile support. The SGP is a great budget range screw for lightweight applications. It can anchor a variety of projects from sheds, light weight garden rooms to solar racks.



EXAMPLE OF USAGE AREAS



*Terms apply, see product warranty

STOPDIGGING!®



	SGP	580	865	1200	1600	2000	
	Art no	4005	4003	4004	4006	4007	
A	Screw thickness	2		3	3,5		mm
B	Screw length	580	865	1200	1600	2000	mm
C	Outer diameter	67					mm
D	Helix length	280	480	820			mm
E	Helix spacing	40					mm
F	Helix height	10					mm
G	Thickness	5					mm
H	Lenght	95					mm
I	Width	70					mm
J	Thread, fixing holes	M20					

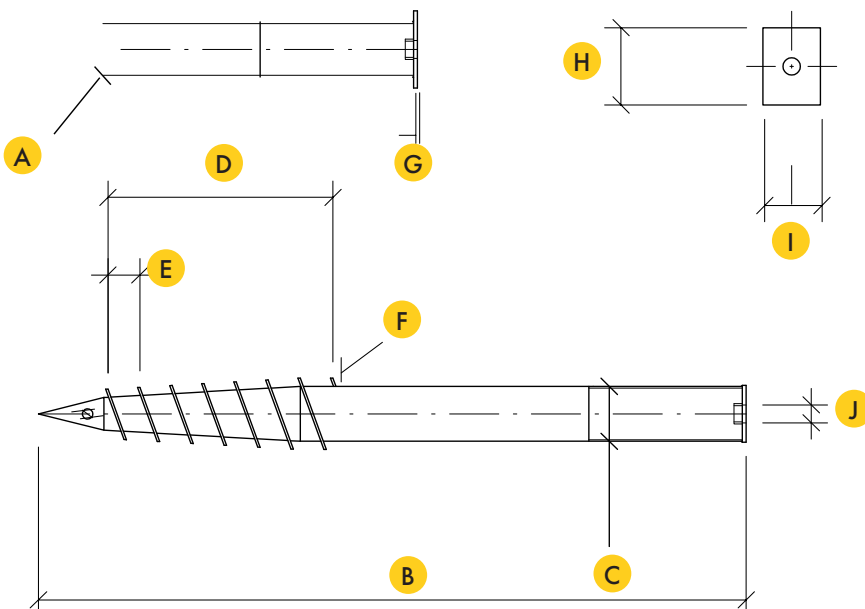
CERTIFICATE

Material	ISO 630 FE 360A
Product	EN 1090
Galvanization	EN 1461
Manufacturing process	ISO 9001:2015
Installation process	ISO 9001:2015
* Expected min. service life	100 years

UKCA no. 2400-CPR-20120001

Codemark no. CMNZ70132

Compression capacity	254	612	1274	2600	2906	kg
Tensile capacity	173	458	663	1479	1581	kg
Lateral capacity	51	254	458	714	816	kg



* Terms apply, see product warranty

STOPDIGGING!®



	SGP	580	865	1200	1600	2000	
	Art no	4005	4003	4004	4006	4007	
A	Screw thickness	0,08		0,12	0,14		in.
B	Screw length	22,8	34,06	47,2	63,0	78,7	in.
C	Outer diameter	2,64					in.
D	Helix length	11	18,9	32,3			in.
E	Helix spacing	1,57					in.
F	Helix height	0,39					in.
G	Thickness	0,2					in.
H	Lenght	3,74					in.
I	Width	2,76					in.
J	Thread, fixing holes	M20					

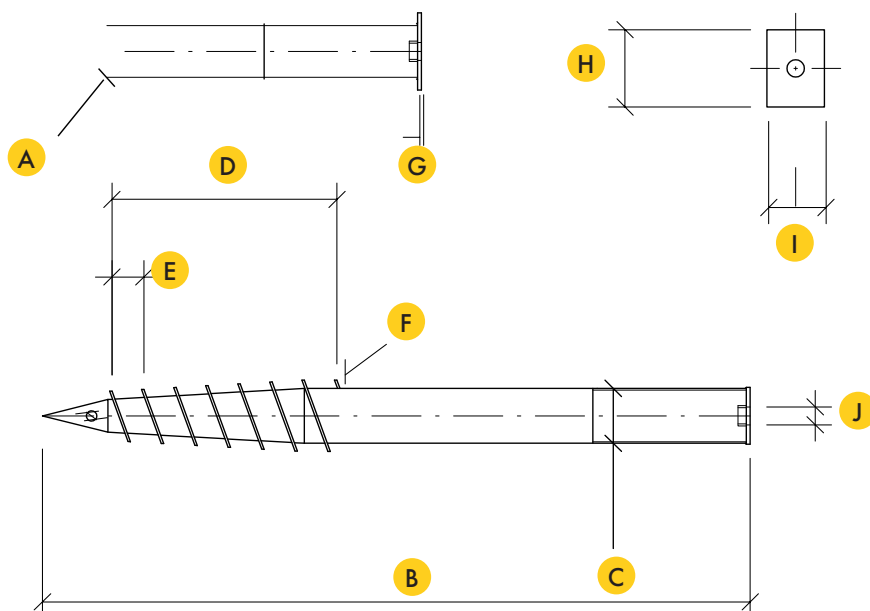
CERTIFICATE

Material	ISO 630 FE 360A
Product	EN 1090
Galvanization	EN 1461
Manufacturing process	ISO 9001:2015
Installation process	ISO 9001:2015
* Expected min. service life	100 years

UKCA no. 2400-CPR-20120001

Codemark no. CMNZ70132

Compression capacity	254	612	1274	2600	2906	kg
Tensile capacity	173	458	663	1479	1581	kg
Lateral capacity	51	254	458	714	816	kg



* Terms apply, see product warranty