

STOPDIGGING!®

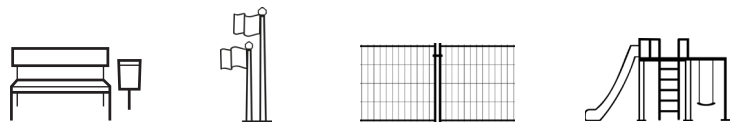


PIPE SCREW SGN



A pipe ground screw designed to hold a steel tube within itself. This model is ideal as a foundation for traffic signs, rubbish bins and temporary fences. It is available in several sizes and is easily assembled with the steel pipe locking into place with the use of four bolts. The pipe screw is perfect for temporary installations where damaging the ground is to be avoided, such as parks, gardens, lawns, pavements and other other surfaces which need to remain intact. When you need to support a steel pipe for whatever purpose, the pipe screw is the best choice.

EXAMPLE OF USAGE AREAS



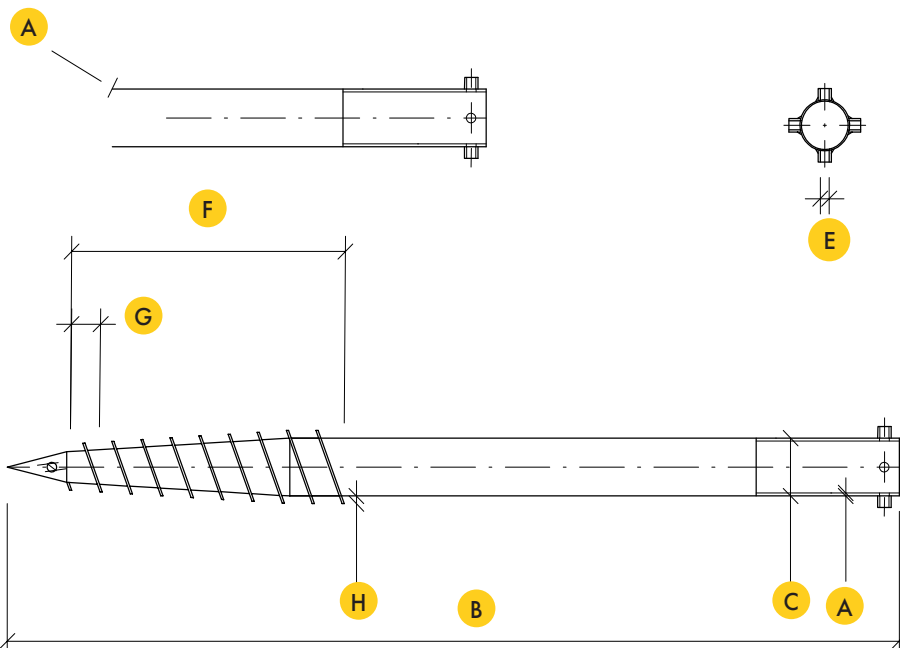
*Terms apply, see product warranty

STOPDIGGING!®



	SGN	67x865	76x865	89x865	89x865	76x1200	76x1600	114x900	89x2500	
	Art no	3002	3007	3003	3008	3009	3005	3006	3011	
A	Screw thickness	2	4	2	3,5	4				mm
B	Screw length	865				1200	1600	900	2500	mm
C	Outer diameter	67	76	89		76		114	89	mm
D	Inner diameter	64	68	85	82	68	68	106	81	mm
E	Thread, fixing holes	M12						M16	M12	
F	Helix length	280	400	280		400	820	400	900	mm
G	Helix spacing	40							60	mm
H	Helix height	10								mm

Compression capacity	10,5	13,5	22,5	22,5	25,0	35,0	20,0	55,0	kN
Tensile capacity	4,5	7,0	10,5	10,5	12,5	21,5	10,5	41,5	kN
Lateral capacity	3,0	3,5	3,5	3,5	6,0	8,5	6,0	14,5	kN



CERTIFICATE

Material	ISO 630 FE 360A
Product	EN 1090
Galvanization	EN 1461
Manufacturing process	ISO 9001:2015
Installation process	ISO 9001:2015
* Expected min. service life	100 years

UKCA no. 2400-CPR-20120001
Codemark no. CMNZ70132



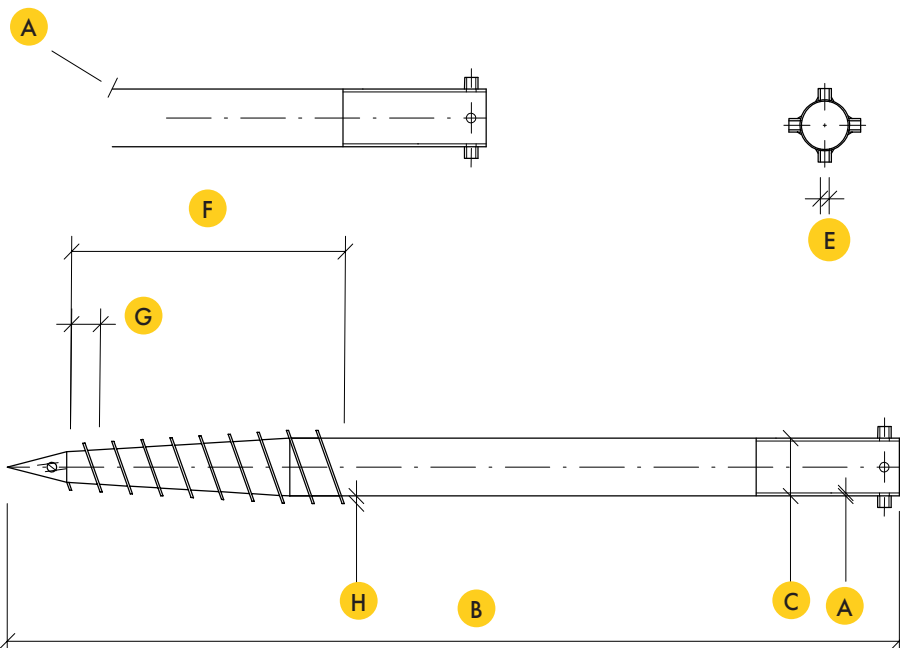
* Terms apply, see product warranty

STOPDIGGING!®



	SGN	67x865	76x865	89x865	89x865	76x1200	76x1600	114x900	89x2500	
Art no		3002	3007	3003	3008	3009	3005	3006	3011	
A Screw thickness		0,08	0,16	0,08	0,12	0,16				in.
B Screw length		34,06				47,2	63	35,4	98,4	in.
C Outer diameter		2,64	3	3,5		3		4,5	3	in.
D Inner diameter		2,52	2,68	3,35	3,23	2,68	2,68	4,17	3,19	in.
E Thread, fixing holes		M 12						M 16	M 12	
F Helix length		11	15,7	11		15,7	32,3	15,7	35,43	in.
G Helix spacing		1,57							2,36	in.
H Helix height		0,39								in.

Compression capacity	1070	1376	2295	2295	2549	3509	2039	5608	kg
Tensile capacity	458	714	1070	1070	1274	2192	1070	4231	kg
Lateral capacity	306	356	356	356	612	860	612	1478	kg



CERTIFICATE

Material	ISO 630 FE 360A
Product	EN 1090
Galvanization	EN 1461
Manufacturing process	ISO 9001:2015
Installation process	ISO 9001:2015
* Expected min. service life	100 years

UKCA no. 2400-CPR-20120001
Codemark no. CMNZ70132



* Terms apply, see product warranty