

**STOPDIGGING!®**

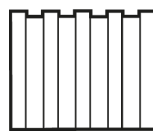


**ADAPTER SCREW SGEX**

This Groundscrew can be extended multiple times to reach deep into the ground. This feature is great for conditions where top layers of soil is very soft and lack the required load carrying capacity. By extending the screw we can reach more compact and suitable ground to secure a solid foundation. The top of the screw has a round mounting plate with a series of slots and a threaded M20 hole in the centre. This is designed to fasten any of our many Applications depending on the type of foundation you need.



**EXAMPLE OF USAGE AREAS**



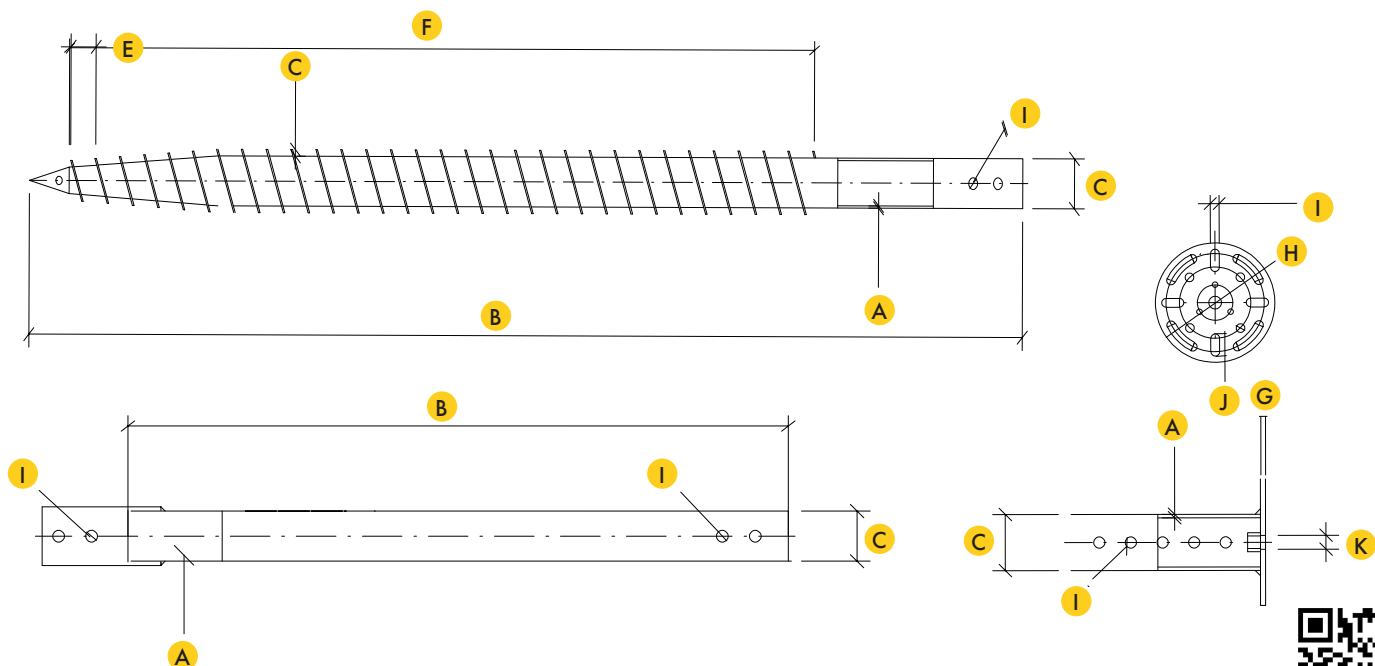
\*Terms apply, see product warranty

# STOPDIGGING!®



	SG	EX S	EX B	EX H C v2	
	Art no	4022	4021	4035	
A	Screw thickness	3,7		5,0	mm
B	Screw length	2000	1000		mm
C	Outer diameter	76		89	mm
D	Helix height	10			mm
E	Helix spacing	50			mm
F	Helix length	1500			mm
G	Thickness			8	mm
H	Plate diameter			200	mm
I	Fixing hole width	18	18	15	mm
J	Fixing hole length			60	mm
K	Thread, fixing holes			M20	

Load capacity must be determined on site by pull-test



## CERTIFICATE

Material	ISO 630 FE 360A
Product	EN 1090
Galvanization	EN 1461
Manufacturing process	ISO 9001:2015
Installation process	ISO 9001:2015
Expected min. service life *	100 years

UKCA no. 2400-CPR-20120001

Codemark no. CMNZ70132

\* Terms apply, see product warranty



# STOPDIGGING!®



	SG	EX S	EX B	EX H C v2	
	Art no	4022	4021	4035	
A	Screw thickness	0,16		0,20	in.
B	Screw length	78,7	39,37		in.
C	Outer diameter	2,99		3,50	in.
D	Helix height	0,39			in.
E	Helix spacing	1,97			in.
F	Helix length	59,1			in.
G	Thickness			0,31	in.
H	Plate diameter			7,87	in.
I	Fixing hole width	0,71	0,71	0,59	in.
J	Fixing hole length			2,36	in.
K	Thread, fixing holes			M20	

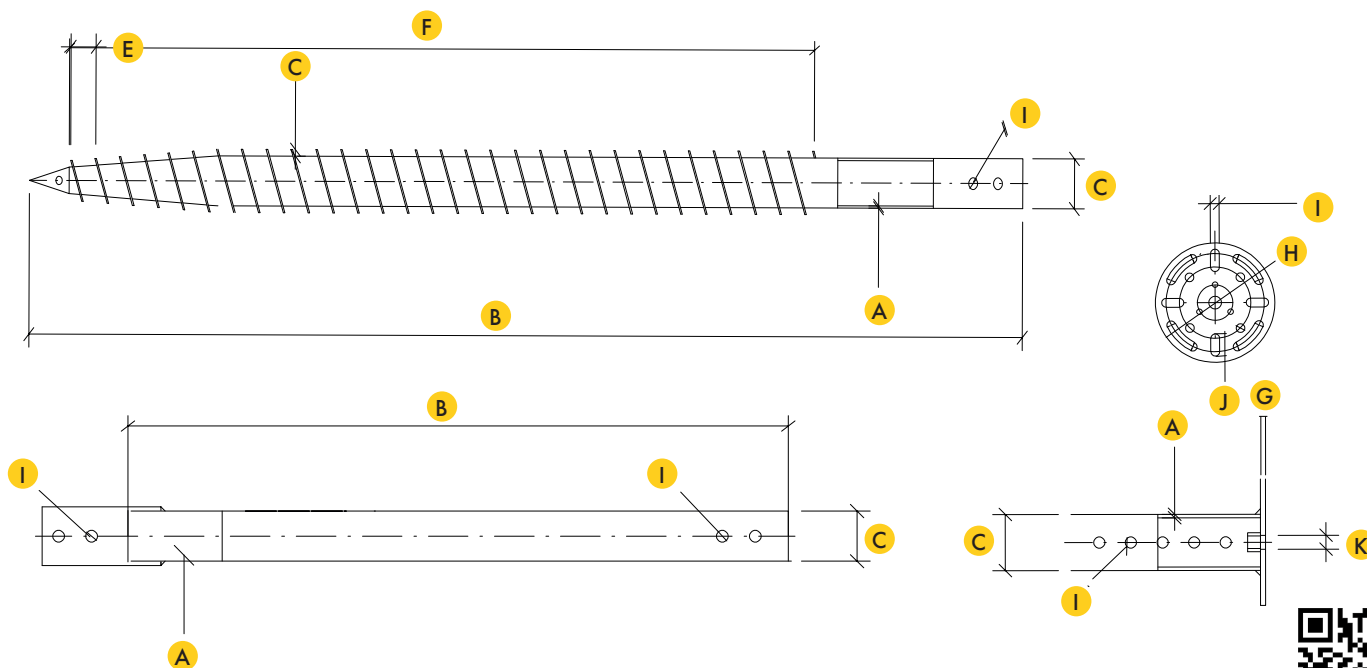
**CERTIFICATE**

Material	ISO 630 FE 360A
Product	EN 1090
Galvanization	EN 1461
Manufacturing process	ISO 9001:2015
Installation process	ISO 9001:2015
Expected min. service life *	100 years

UKCA no. 2400-CPR-20120001

Codemark no. CMNZ70132

Load capacity must be determined on site by pull-test



\* Terms apply, see product warranty